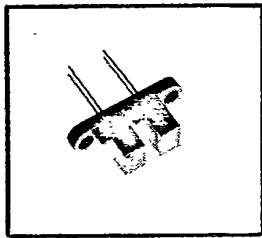




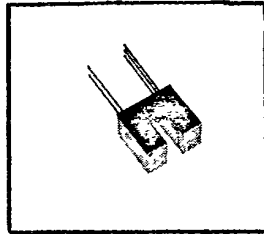
Optek Technology, Inc.
345 Industrial Blvd.
McKinney, Texas 75069
(214) 542-9461

SLOTTED OPTICAL SWITCHES PHOTOTRANSISTOR OUTPUT

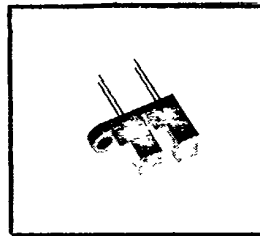
KT 860/870/880/890 SERIES



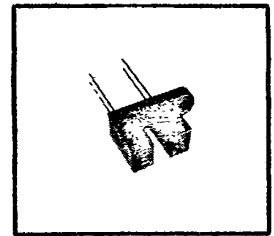
PACKAGE T



PACKAGE N



PACKAGE L



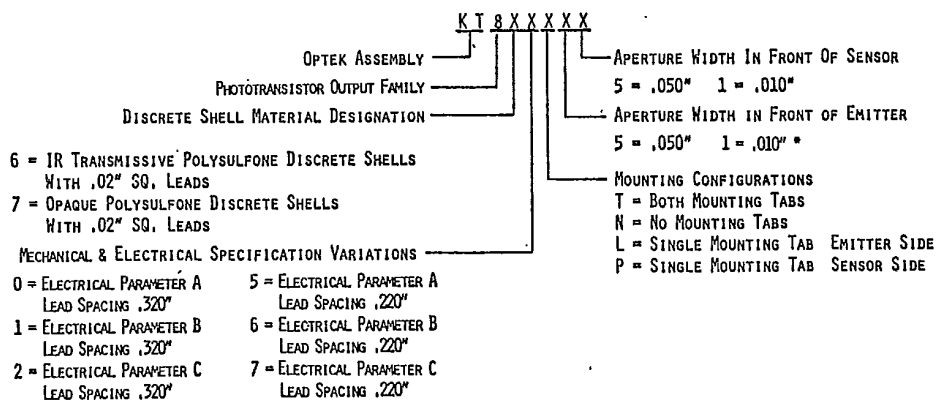
PACKAGE P

DESCRIPTION

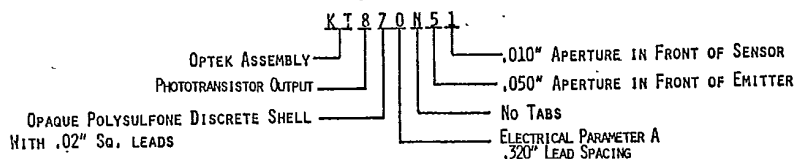
The KT860/KT870 series of slotted optical switches provides the design engineer with the flexibility of a custom device from a standard product line. Building from a standard housing of .125" wide slot, the user can specify (1) Electrical output parameters, (2) Mounting tab configuration, (3) Lead spacing, (4) Discrete shell, and (5) Aperture widths.

All housings are an opaque grade of injection-molded polysulfone (P1700-935) to minimize the assembly's sensitivity to ambient radiation, both visible and near-infrared. Discrete shells (exposed only on the parallel faces inside the device throat) are either IR transmissive polysulfone (P1700-1615) for applications where aperture contamination may occur, or opaque polysulfone where maximum protection against ambient radiation is a concern.

PART NUMBER GUIDE



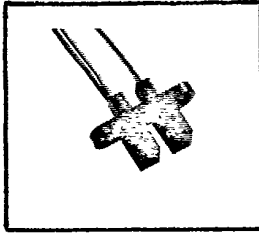
EXAMPLE



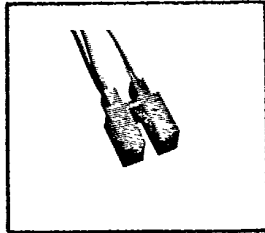
* ASSEMBLIES WITH DUAL .010" APERTURES ARE CURRENTLY AVAILABLE WITH ELECTRICAL PARAMETER "A" ONLY.

OPTEK TECHNOLOGY INC

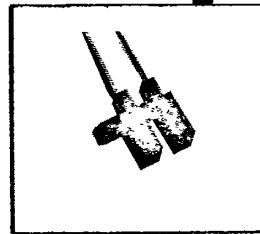
86 DE 6798580 0000063 4



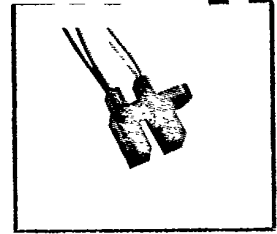
PACKAGE T



PACKAGE N



PACKAGE L



PACKAGE P

DESCRIPTION

The KT880/KT890 series of slotted optical switches provides the design engineer with the flexibility of a custom device from a standard product line. Building from a standard housing of .125" wide slot, the user can specify (1) Electrical output parameters, (2) Mounting tab configuration, (3) Discrete shell, and (4) Aperture widths.

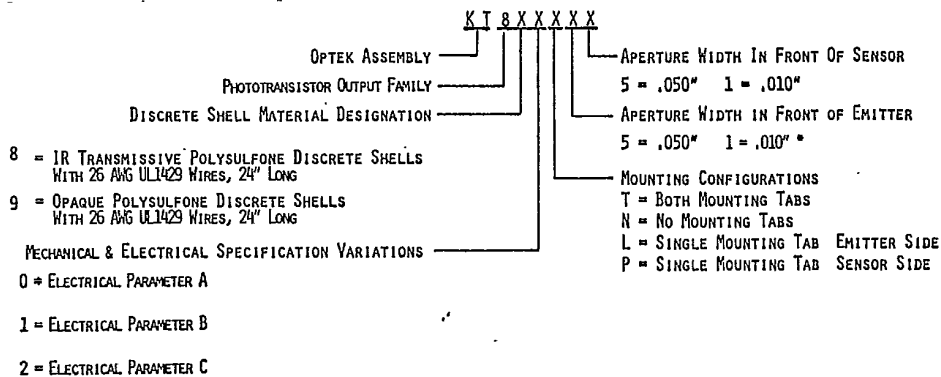
All housings are an opaque grade of injection-molded polysulfone (P1700-935) to minimize the assembly's sensitivity to ambient radiation, both visible and near-infrared. Discrete shells (exposed only on the parallel faces inside the device throat) are either IR transmissive polysulfone (P1700-1615) for applications where aperture contamination may occur, or opaque polysulfone where maximum protection against ambient radiation is a concern.

Each terminal of the devices in this series is terminated with 24 inches of 7 strand 26 AWG, UL 1429 insulated wire. Insulation colors and functions are:

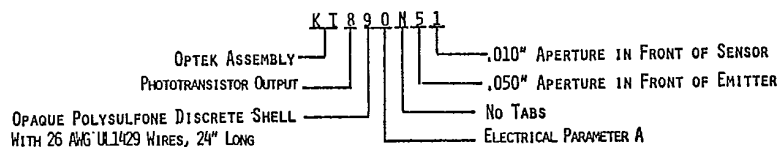
- | | |
|----------------------|-----------------------------------|
| Red - IRED Anode | White - PHOTOTRANSISTOR Collector |
| Black - IRED Cathode | Green - PHOTOTRANSISTOR Emitter |

Other wire lengths and/or colors are available. See your local representative or call the factory.

PART NUMBER GUIDE



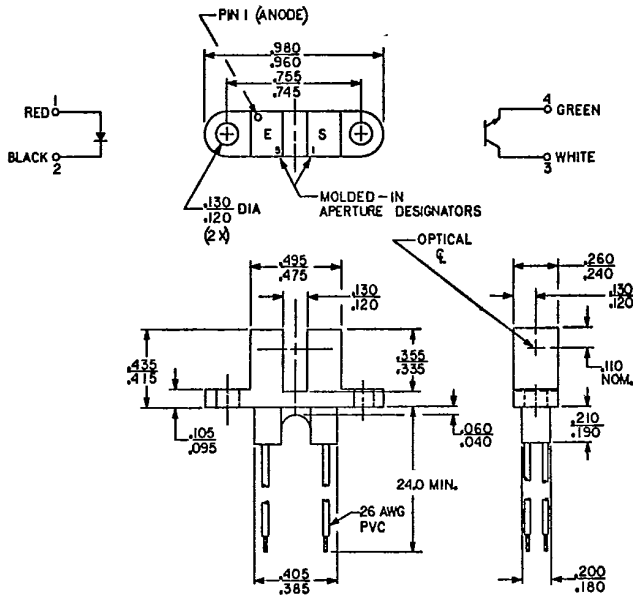
EXAMPLE



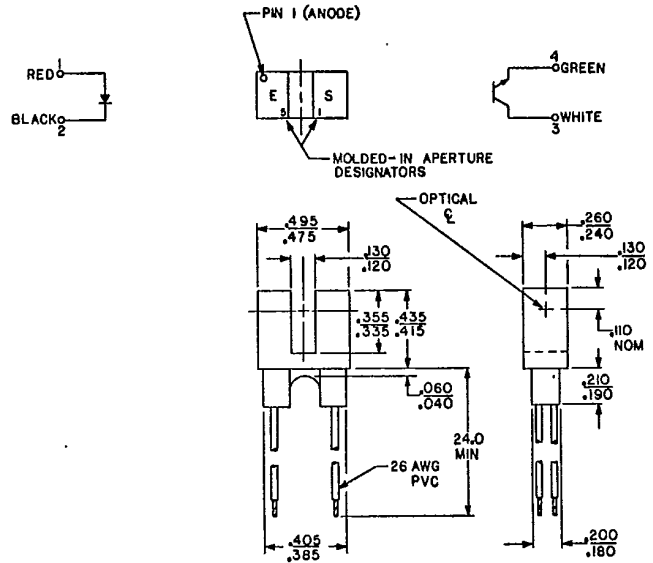
* ASSEMBLIES WITH DUAL .010" APERTURES ARE CURRENTLY AVAILABLE WITH ELECTRICAL PARAMETER "A" ONLY

PACKAGE CONFIGURATION

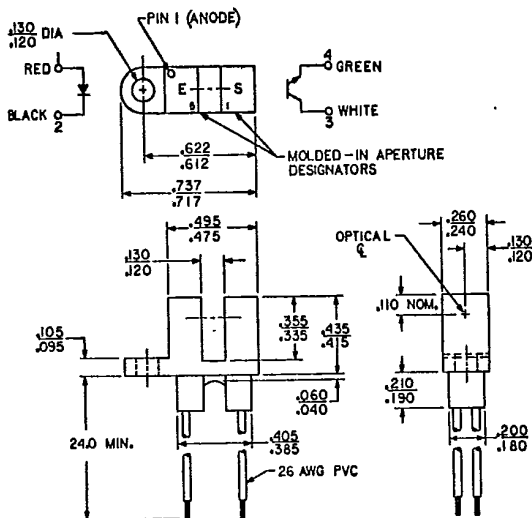
PACKAGE T



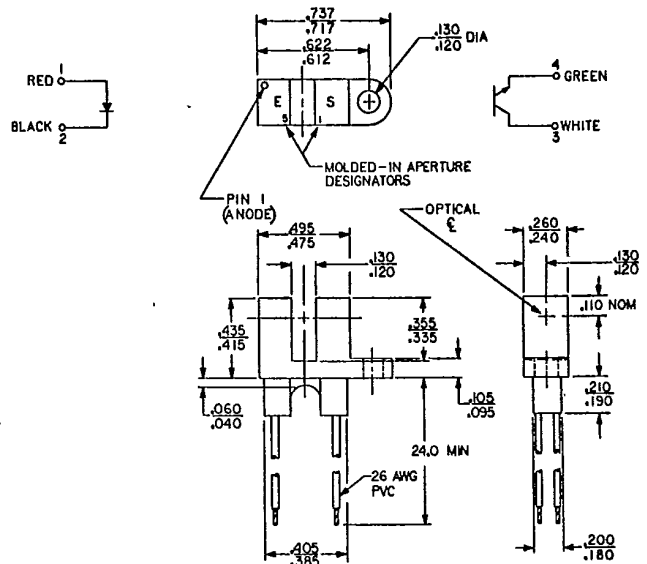
PACKAGE N



PACKAGE L



PACKAGE P



TYPES KT860/KT870/KT880/KT890 SERIES

ELECTRICAL CHARACTERISTICS (25°C UNLESS OTHERWISE NOTED)

SYMBOL	PARAMETER	MIN	MAX	UNITS	TEST CONDITIONS
INPUT DIODE					
V _F	FORWARD VOLTAGE		1.7	V	I _F = 20 mA
I _R	REVERSE CURRENT		100	μA	V _R = 3 V
OUTPUT PHOTOTRANSISTOR					
V _{(BR)CEO}	COLLECTOR-EMITTER BREAKDOWN VOLTAGE	30		V	I _C = 1 mA
V _{(BR)ECO}	EMITTER-COLLECTOR BREAKDOWN VOLTAGE	5		V	I _E = 100 μA
I _{CEO}	COLLECTOR-EMITTER DARK CURRENT		100	nA	V _{CE} = 10V
COUPLED					
V _{CE} (SAT)	COLLECTOR-EMITTER SATURATION VOLTAGE PARAMETER A-KT860,KT865,KT870,KT875, KT880,KT890		0.4	V	I _C = 400 μA, I _F = 20 mA
	PARAMETER B-KT861,KT866,KT871,KT876, KT881,KT891		0.4	V	I _C = 800 μA, I _F = 10 mA
	PARAMETER C-KT862,KT867,KT872,KT877, KT882,KT892		0.6	V	I _C = 1800 μA, I _F = 20 mA
I _C (ON)	ON-STATE COLLECTOR CURRENT PARAMETER A-KT860,KT865,KT870,KT875, KT880,KT890	500		μA	V _{CE} = 10V, I _F = 20 mA
	PARAMETER B-KT861,KT866,KT871,KT876, KT881,KT891	1000		μA	V _{CE} = 5V, I _F = 10 mA
	PARAMETER C-KT862,KT867,KT872,KT877, KT882,KT892	1800		μA	V _{CE} = 0.6V, I _F = 20 mA

ABSOLUTE MAXIMUM RATINGS (25°C unless otherwise noted)

Storage and Operating Temperature Range..... KT860/KT870 Series -40°C to +85°C (A)
 KT880/KT890 Series -40°C to + 80°C (B)
 Lead Soldering Temperature (1/16 inch from case+240°C (C)
 for 5 sec. with soldering iron)

INPUT DIODE

Forward DC Current.....50 mA
 Peak Forward Current (1 μs pulse width, 300pps).....3 A
 Reverse DC Voltage.....3 V (A) (B)
 Power Dissipation.....100 mW (A) (B)

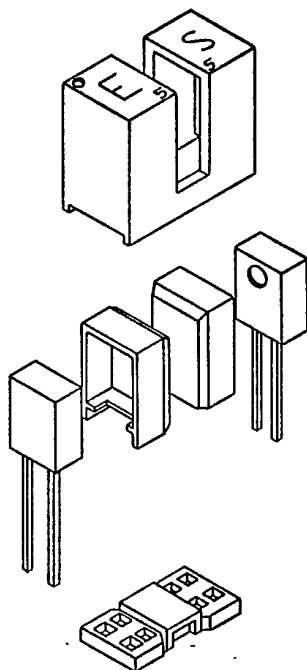
OUTPUT PHOTOTRANSISTOR

Collector-Emitter Voltage30 V
 Emitter-Collector Voltage.....5 V
 Collector DC Current.....30 mA
 Power Dissipation.....100 mW (A) (B)

NOTES: (A) Derate linearly 1.67mW/°C above 25°C
 (B) Derate linearly 1.82mW/°C above 25°C (Maximum storage and operating temperature limited by temperature rating of lead wires)
 (C) Applies to KT860/KT870 Series only. RMA flux is recommended. Duration can be extended to 10 sec. max. when wave soldering.
 (D) All parameters tested using pulse technique.

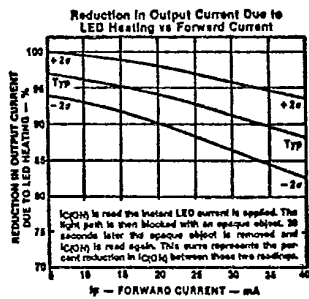
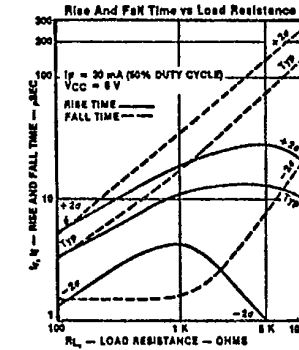
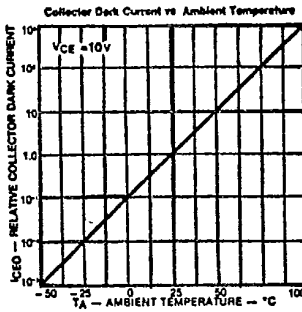
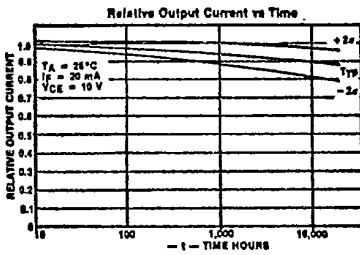
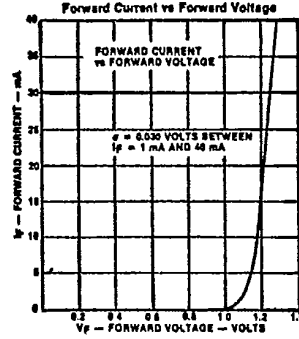
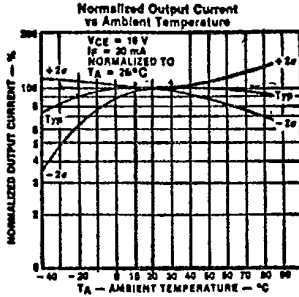
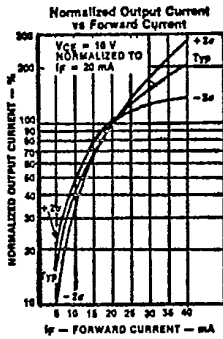
5

MECHANICAL CONSTRUCTION

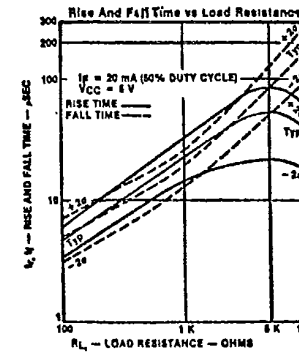
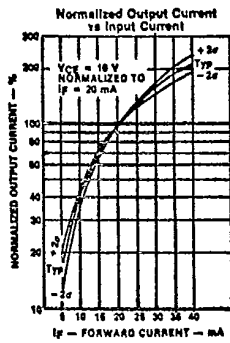


All housings are an opaque grade of injection-molded polysulfone (P1700-935) to minimize the assembly's sensitivity to ambient radiation, both visible and near-infrared. Discrete shells (exposed only on the parallel faces inside the device throat) are either IR transmissive polysulfone (P1700-1615) for applications where aperture contamination may occur, or opaque polysulfone (P1700-935) with aperture openings, where maximum protection against ambient radiation is a concern.

TYPICAL PERFORMANCE CURVES



All Part Numbers Ending In "1"



7